

VU Book Shop

کتابوں کی فکر ختم، پڑھائی پر توجہ بڑھائیں!

- ✓ Verified Printed Handouts
- ✓ Fast Delivery All Over Pakistan
- ✓ Updated for Final Term
- ✓ One Click WhatsApp Order



Order Now: 0344-2023473



Visit: www.vubookshop.net

Your Study Partner for Every Semester!

ورچوئل یونیورسٹی کی کتابیں گھر بیٹھے آرڈر
کریں

ONE CLICK WHATSAPP ORDER

03442023473



CS302- Digital Logic Design

LATEST SOLVED MCQS FROM FINAL TERM PAPERS

19-12-2011
Latest Mcqs

MC100401285

Moaaz.pk@gmail.com

MC100401285@gmail.com

PSMD01(IEMS)

FINAL TERM EXAMINATION
Spring 2011

Question No: 1 (Marks: 1) - Please choose one

A 8-bit serial in / parallel out shift register contains the value “8”, _____ clock signal(s) will be required to shift the value completely out of the register.

- ▶ 1
- ▶ 2
- ▶ 4
- ▶ **8 (Page 356)**

Question No: 2 (Marks: 1) - Please choose one

In a sequential circuit the next state is determined by _____ and _____

- ▶ State variable, current state
- ▶ Current state, flip-flop output
- ▶ **Current state and external input (Page 318)**
- ▶ Input and clock signal applied

Question No: 3 (Marks: 1) - Please choose one

The divide-by-60 counter in digital clock is implemented by using two cascading counters:

- ▶ **Mod-6, Mod-10 (Page 299)**
- ▶ Mod-50, Mod-10
- ▶ Mod-10, Mod-50
- ▶ Mod-50, Mod-6

Question No: 4 (Marks: 1) - Please choose one

In NOR gate based S-R latch if both S and R inputs are set to logic 0, the previous output state is maintained.

- ▶ **True (Page 221)**
- ▶ False

Muhammad Moaaz Siddiq – MCS (2nd)
mc100401285@Gmail.com
Campus:- Institute of E-Learning & Modern
Studies (IEMS) Samundari

Question No: 5 (Marks: 1) - Please choose one

The minimum time for which the input signal has to be maintained at the input of flip-flop is called _____ of the flip-flop.

- ▶ Set-up time
- ▶ **Hold time (Page 242)**
- ▶ Pulse Interval time
- ▶ Pulse Stability time (PST)

Question No: 6 (Marks: 1) - Please choose one

74HC163 has two enable input pins which are _____ and _____

- ▶ **ENP, ENT (Page 285)**
- ▶ ENI, ENC
- ▶ ENP, ENC
- ▶ ENT, ENI

Question No: 7 (Marks: 1) - Please choose one

_____ is said to occur when multiple internal variables change due to change in one input variable

- ▶ Clock Skew
- ▶ **Race condition (Page 267)**
- ▶ Hold delay
- ▶ Hold and Wait

Question No: 8 (Marks: 1) - Please choose one

The _____ input overrides the _____ input

- ▶ **Asynchronous, synchronous (Page 369)**
- ▶ Synchronous, asynchronous
- ▶ Preset input (PRE), Clear input (CLR)
- ▶ Clear input (CLR), Preset input (PRE)

Question No: 9 (Marks: 1) - Please choose one

A decade counter is _____.

- ▶ Mod-3 counter
- ▶ Mod-5 counter
- ▶ Mod-8 counter
- ▶ **Mod-10 counter (Page 274)**

Question No: 10 (Marks: 1) - Please choose one

In asynchronous transmission when the transmission line is idle, _____

- ▶ It is set to logic low
- ▶ **It is set to logic high (Page 356)**
- ▶ Remains in previous state
- ▶ State of transmission line is not used to start transmission

Muhammad Moaaz Siddiq – MCS (2nd)

mc100401285@Gmail.com

**Campus:- Institute of E-Learning & Modern
Studies (IEMS) Samundari**

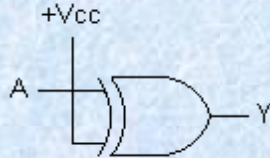
Question No: 11 (Marks: 1) - Please choose one

A Nibble consists of _____ bits

- ▶ 2
- ▶ **4 (Page 394)**
- ▶ 8
- ▶ 16

Question No: 12 (Marks: 1) - Please choose one

The output of this circuit is always _____.



- ▶ 1
- ▶ 0
- ▶ **A** [Click here for detail](#)
- ▶ \bar{A}

Question No: 13 (Marks: 1) - Please choose one

Excess-8 code assigns _____ to “-8”

- ▶ 1110
- ▶ 1100
- ▶ 1000
- ▶ **0000 (Page 34)**

Question No: 14 (Marks: 1) - Please choose one

The voltage gain of the Inverting Amplifier is given by the relation _____

- ▶ **$V_{out} / V_{in} = - R_f / R_i$ (Page 446)**
- ▶ $V_{out} / R_f = - V_{in} / R_i$
- ▶ $R_f / V_{in} = - R_i / V_{out}$
- ▶ $R_f / V_{in} = R_i / V_{out}$

Question No: 15 (Marks: 1) - Please choose one

LUT is acronym for _____

- ▶ **Look Up Table (Page 439)**
- ▶ Local User Terminal
- ▶ Least Upper Time Period
- ▶ None of given options

Muhammad Moaaz Siddiq – MCS (2nd)

mc100401285@Gmail.com

**Campus:- Institute of E-Learning & Modern
Studies (IEMS) Samundari**

Question No: 16 (Marks: 1) - Please choose one

The three fundamental gates are _____

- ▶ AND, NAND, XOR
- ▶ OR, AND, NAND
- ▶ NOT, NOR, XOR
- ▶ **NOT, OR, AND (Page 40)**

Question No: 17 (Marks: 1) - Please choose one

The total amount of memory that is supported by any digital system depends upon _____

- ▶ The organization of memory
- ▶ The structure of memory
- ▶ The size of decoding unit
- ▶ **The size of the address bus of the microprocessor (Page 430)**

Question No: 18 (Marks: 1) - Please choose one

Stack is an acronym for _____

- ▶ FIFO memory
- ▶ **LIFO memory (Page 429)**
- ▶ Flash Memory
- ▶ Bust Flash Memory

Question No: 19 (Marks: 1) - Please choose one

Addition of two octal numbers “36” and “71” results in _____

- ▶ 213
- ▶ 123
- ▶ **127**
- ▶ 345

Question No: 20 (Marks: 1) - Please choose one

_____ is one of the examples of synchronous inputs.

- ▶ **J-K input (Page 235)**
- ▶ EN input
- ▶ Preset input (PRE)
- ▶ Clear Input (CLR)

Question No: 21 (Marks: 1) - Please choose one

_____ occurs when the same clock signal arrives at different times at different clock inputs due to propagation delay.

- ▶ Race condition
- ▶ **Clock Skew (Page 226)**
- ▶ Ripple Effect
- ▶ None of given options

Muhammad Moaaz Siddiq – MCS (2nd)

mc100401285@Gmail.com

**Campus:- Institute of E-Learning & Modern
Studies (IEMS) Samundari**

Question No: 22 (Marks: 1) - Please choose one

Consider an up/down counter that counts between 0 and 15, if external input(X) is “0” the counter counts upward (0000 to 1111) and if external input (X) is “1” the counter counts downward (1111 to 0000), now suppose that the present state is “1100” and X=1, the next state of the counter will be _____

- ▶ 0000
- ▶ **1101 (not sure)**
- ▶ 1011
- ▶ 1111

Question No: 23 (Marks: 1) - Please choose one

In a state diagram, the transition from a current state to the next state is determined by

- ▶ **Current state and the inputs (Page 332)**
- ▶ Current state and outputs
- ▶ Previous state and inputs
- ▶ Previous state and outputs

Question No: 24 (Marks: 1) - Please choose one

_____ is used to simplify the circuit that determines the next state.

- ▶ State diagram
- ▶ Next state table
- ▶ State reduction
- ▶ **State assignment (Page 335)**

Question No: 25 (Marks: 1) - Please choose one

A 8-bit serial in / parallel out shift register contains the value “8”, _____ clock signal(s) will be required to shift the value completely out of the register.

- ▶ 1
- ▶ 2
- ▶ 4
- ▶ **8 (Page 356) rep**

Question No: 26 (Marks: 1) - Please choose one

Assume that a 4-bit serial in/serial out shift register is initially clear. We wish to store the nibble 1100. What will be the 4-bit pattern after the second clock pulse? (Right-most bit first.)

- ▶ 1100
- ▶ 0011
- ▶ **0000 [Click here for detail](#)**
- ▶ 1111

Question No: 27 (Marks: 1) - Please choose one

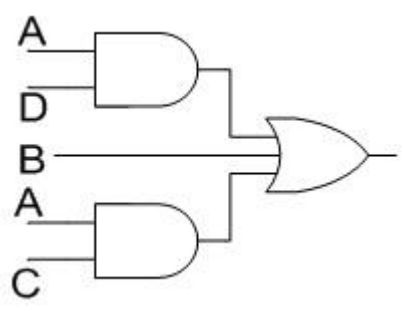
LUT is acronym for _____

▶ **Look Up Table (Page 439) rep**

- ▶ Local User Terminal
- ▶ Least Upper Time Period
- ▶ None of given options

Question No: 28 (Marks: 1) - Please choose one

The diagram given below represents _____



- ▶ Demorgans law
- ▶ Associative law
- ▶ Product of sum form
- ▶ **Sum of product form (Page 78)**

Question No: 29 (Marks: 1) - Please choose one

The operation of J-K flip-flop is similar to that of the SR flip-flop except that the J-K flip-flop _____

- ▶ **Doesn't have an invalid state (Page 232)**
- ▶ Sets to clear when both $J = 0$ and $K = 0$
- ▶ It does not show transition on change in pulse
- ▶ It does not accept asynchronous inputs

Question No: 30 (Marks: 1) - Please choose one

A multiplexer with a register circuit converts _____

- ▶ Serial data to parallel
- ▶ **Parallel data to serial (Page 356) rep**
- ▶ Serial data to serial
- ▶ Parallel data to parallel

Question No: 31 (Marks: 1) - Please choose one

A GAL is essentially a _____.

- ▶ Non-reprogrammable PAL
- ▶ PAL that is programmed only by the manufacturer
- ▶ Very large PAL
- ▶ **Reprogrammable PAL (Page 183)**

Muhammad Moaaz Siddiq – MCS (2nd)

mc100401285@Gmail.com

**Campus:- Institute of E-Learning & Modern
Studies (IEMS) Samundari**

Question No: 32 (Marks: 1) - Please choose one

in _____, all the columns in the same row are either read or written.

- ▶ Sequential Access
- ▶ MOS Access
- ▶ **FAST Mode Page Access (Page 413)**
- ▶ None of given options

Question No: 33 (Marks: 1) - Please choose one

In order to synchronize two devices that consume and produce data at different rates, we can use _____

- ▶ Read Only Memory
- ▶ **Fist In First Out Memory (Page 425)**
- ▶ Flash Memory
- ▶ Fast Page Access Mode Memory

Question No: 34 (Marks: 1) - Please choose one

A positive edge-triggered flip-flop changes its state when _____

- ▶ **Low-to-high transition of clock (Page 228)**
- ▶ High-to-low transition of clock
- ▶ Enable input (EN) is set
- ▶ Preset input (PRE) is set

FINALTERM EXAMINATION Spring 2010

Question No: 1 (Marks: 1) - Please choose one

A 8-bit serial in / parallel out shift register contains the value "8", _____ clock signal(s) will be required to shift the value completely out of the register.

- ▶ 1
- ▶ 2
- ▶ 4
- ▶ **8 (Page 356) rep**

Question No: 2 (Marks: 1) - Please choose one

A frequency counter _____

- ▶ Counts pulse width
- ▶ **Counts no. of clock pulses in 1 second (Page 301)**
- ▶ Counts high and low range of given clock pulse
- ▶ None of given options

Question No: 3 (Marks: 1) - Please choose one

In a sequential circuit the next state is determined by _____ and _____

- ▶ State variable, current state
- ▶ Current state, flip-flop output
- ▶ Current state and external input
- ▶ **Input and clock signal applied (Page 305)**

Question No: 4 (Marks: 1) - Please choose one

The divide-by-60 counter in digital clock is implemented by using two cascading counters:

- ▶ **Mod-6, Mod-10 (Page 229) rep**
- ▶ Mod-50, Mod-10
- ▶ Mod-10, Mod-50
- ▶ Mod-50, Mod-6

Question No: 5 (Marks: 1) - Please choose one

In NOR gate based S-R latch if both S and R inputs are set to logic 0, the previous output state is maintained.

- ▶ **True (Page 221) rep**
- ▶ False

Question No: 6 (Marks: 1) - Please choose one

Flip flops are also called _____

- ▶ Bi-stable dualvibrators
- ▶ Bi-stable transformer
- ▶ **Bi-stable multivibrators (Page 228)**
- ▶ Bi-stable singlevibrators

Question No: 7 (Marks: 1) - Please choose one

The minimum time for which the input signal has to be maintained at the input of flip-flop is called _____ of the flip-flop.

- ▶ Set-up time
- ▶ **Hold time (Page 242) rep**
- ▶ Pulse Interval time
- ▶ Pulse Stability time (PST)

Question No: 8 (Marks: 1) - Please choose one

74HC163 has two enable input pins which are _____ and _____

- ▶ **ENP, ENT (Page 285)**
- ▶ ENI, ENC
- ▶ ENP, ENC
- ▶ ENT, ENI

Muhammad Moaaz Siddiq – MCS (2nd)

mc100401285@Gmail.com

**Campus:- Institute of E-Learning & Modern
Studies (IEMS) Samundari**

Question No: 9 (Marks: 1) - Please choose one

_____ is said to occur when multiple internal variables change due to change in one input variable

- ▶ Clock Skew
- ▶ **Race condition (Page 267)**
- ▶ Hold delay
- ▶ Hold and Wait

Question No: 10 (Marks: 1) - Please choose one

Given the state diagram of an up/down counter, we can find _____

- ▶ **The next state of a given present state (Page 371)**
- ▶ The previous state of a given present state
- ▶ Both the next and previous states of a given state
- ▶ The state diagram shows only the inputs/outputs of a given states

Question No: 11 (Marks: 1) - Please choose one

The _____ input overrides the _____ input

- ▶ **Asynchronous, synchronous (Page 369) rep**
- ▶ Synchronous, asynchronous
- ▶ Preset input (PRE), Clear input (CLR)
- ▶ Clear input (CLR), Preset input (PRE)

Question No: 12 (Marks: 1) - Please choose one

A logic circuit with an output $X = \overline{A} B C + A \overline{B}$ consists of _____.

- ▶ two AND gates, two OR gates, two inverters
- ▶ three AND gates, two OR gates, one inverter
- ▶ **two AND gates, one OR gate, two inverters (Lecture 8)**
- ▶ two AND gates, one OR gate

Question No: 13 (Marks: 1) - Please choose one

A decade counter is _____.

- ▶ Mod-3 counter
- ▶ Mod-5 counter
- ▶ Mod-8 counter
- ▶ **Mod-10 counter (Page 274)**

Muhammad Moaaz Siddiq – MCS (2nd)

mc100401285@Gmail.com

**Campus:- Institute of E-Learning & Modern
Studies (IEMS) Samundari**

Question No: 14 (Marks: 1) - Please choose one

In asynchronous transmission when the transmission line is idle, _____

- ▶ It is set to logic low
- ▶ **It is set to logic high (Page 356) rep**
- ▶ Remains in previous state
- ▶ State of transmission line is not used to start transmission

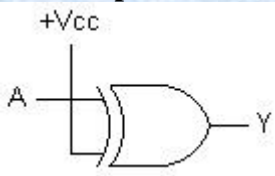
Question No: 15 (Marks: 1) - Please choose one

A Nibble consists of _____ bits

- ▶ 2
- ▶ **4 (Page 394)**
- ▶ 8
- ▶ 16

Question No: 16 (Marks: 1) - Please choose one

The output of this circuit is always _____.



- ▶ 1
- ▶ 0
- ▶ **A [Click here for detail](#) rep**
- ▶ \bar{A}

Question No: 17 (Marks: 1) - Please choose one

Excess-8 code assigns _____ to “-8”

- ▶ 1110
- ▶ 1100
- ▶ 1000
- ▶ **0000 (Page 34) rep**

Question No: 18 (Marks: 1) - Please choose one

The voltage gain of the Inverting Amplifier is given by the relation _____

- ▶ **$V_{out}/V_{in} = -R_f/R_i$ (Page 446)**
- ▶ $V_{out}/R_f = -V_{in}/R_i$
- ▶ $R_f/V_{in} = -R_i/V_{out}$
- ▶ $R_f/V_{in} = R_i/V_{out}$

Muhammad Moaaz Siddiq – MCS (2nd)

mc100401285@Gmail.com

**Campus:- Institute of E-Learning & Modern
Studies (IEMS) Samundari**

Question No: 19 (Marks: 1) - Please choose one

LUT is acronym for _____

- ▶ **Look Up Table (Page 439) rep**
- ▶ Local User Terminal
- ▶ Least Upper Time Period
- ▶ None of given options

Question No: 20 (Marks: 1) - Please choose one

DRAM stands for _____

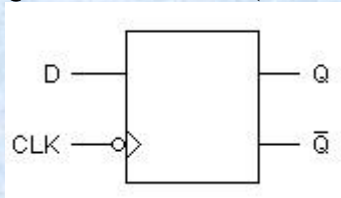
- ▶ **Dynamic RAM (Page 407)**
- ▶ Data RAM
- ▶ Demoduler RAM
- ▶ None of given options

Question No: 21 (Marks: 1) - Please choose one

The three fundamental gates are _____

- ▶ AND, NAND, XOR
- ▶ OR, AND, NAND
- ▶ NOT, NOR, XOR
- ▶ **NOT, OR, AND (Page 40)**

Question No: 22 (Marks: 1) - Please choose one



Which of the following statement is true regarding above block diagram?

- ▶ Triggering takes place on the negative-going edge of the CLK pulse
- ▶ Triggering takes place on the positive-going edge of the CLK pulse
- ▶ Triggering can take place anytime during the HIGH level of the CLK waveform
- ▶ Triggering can take place anytime during the LOW level of the CLK waveform

Question No: 23 (Marks: 1) - Please choose one

The total amount of memory that is supported by any digital system depends upon _____

- ▶ The organization of memory
- ▶ The structure of memory
- ▶ The size of decoding unit
- ▶ **The size of the address bus of the microprocessor (Page 430) rep**

Muhammad Moaaz Siddiq – MCS (2nd)

mc100401285@Gmail.com

**Campus:- Institute of E-Learning & Modern
Studies (IEMS) Samundari**

Question No: 24 (Marks: 1) - Please choose one

The expression $F=A+B+C$ describes the operation of three bits _____ Gate.

▶ **OR (Page 42)**

- ▶ AND
- ▶ NOT
- ▶ NAND

Question No: 25 (Marks: 1) - Please choose one

Stack is an acronym for _____

- ▶ FIFO memory
- ▶ **LIFO memory (Page 429) rep**
- ▶ Flash Memory
- ▶ Bust Flash Memory

Question No: 26 (Marks: 1) - Please choose one

Addition of two octal numbers “36” and “71” results in _____

- ▶ 213
- ▶ 123
- ▶ **127**
- ▶ 345

FINAL TERM EXAMINATION
Spring 2010

Question No: 1 (Marks: 1) - Please choose one

The ANSI/IEEE Standard 754 defines a _____ Single-Precision Floating Point format for binary numbers.

- ▶ 8-bit
- ▶ 16-bit
- ▶ **32-bit (Page 25)**
- ▶ 64-bit

Question No: 2 (Marks: 1) - Please choose one

The decimal “17” in BCD will be represented as _____

- ▶ 11101
- ▶ 11011
- ▶ **10111 (According to rule)**
- ▶ 11110

Question No: 3 (Marks: 1) - Please choose one

The basic building block for a logical circuit is _____

- ▶ A Flip-Flop
- ▶ **A Logical Gate (Page 7)**
- ▶ An Adder
- ▶ None of given options

Question No: 4 (Marks: 1) - Please choose one

The output of the expression $F=A.B.C$ will be Logic _____ when $A=1, B=0, C=1$.

- ▶ Undefined
- ▶ One
- ▶ **Zero (According to rule)**
- ▶ No Output as input is invalid.

Question No: 5 (Marks: 1) - Please choose one

_____ is invalid number of cells in a single group formed by the adjacent cells in K-map

- ▶ 2
- ▶ 8
- ▶ **12 (According to rule "2^n")**
- ▶ 16

Question No: 6 (Marks: 1) - Please choose one

The PROM consists of a fixed non-programmable _____ Gate array configured as a decoder.

- ▶ **AND (Page 182)**
- ▶ OR
- ▶ NOT
- ▶ XOR

Question No: 7 (Marks: 1) - Please choose one

_____ is one of the examples of synchronous inputs.

- ▶ **J-K input (Page 235) rep**
- ▶ EN input
- ▶ Preset input (PRE)
- ▶ Clear Input (CLR)

Question No: 8 (Marks: 1) - Please choose one

_____ is one of the examples of asynchronous inputs.

- ▶ J-K input
- ▶ S-R input
- ▶ D input
- ▶ **Clear Input (CLR) (Page 235)**

Muhammad Moaaz Siddiq – MCS (2nd)

mc100401285@Gmail.com

**Campus:- Institute of E-Learning & Modern
Studies (IEMS) Samundari**

Question No: 9 (Marks: 1) - Please choose one

The _____ input overrides the _____ input

- ▶ **Asynchronous, synchronous (Page 369) rep**
- ▶ Synchronous, asynchronous
- ▶ Preset input (PRE), Clear input (CLR)
- ▶ Clear input (CLR), Preset input (PRE)

Question No: 10 (Marks: 1) - Please choose one

_____ occurs when the same clock signal arrives at different times at different clock inputs due to propagation delay.

- ▶ Race condition
- ▶ **Clock Skew (Page 226) rep**
- ▶ Ripple Effect
- ▶ None of given options

Question No: 11 (Marks: 1) - Please choose one

Consider an up/down counter that counts between 0 and 15, if external input(X) is “0” the counter counts upward (0000 to 1111) and if external input (X) is “1” the counter counts downward (1111 to 0000), now suppose that the present state is “1100” and X=1, the next state of the counter will be _____

- ▶ 0000
- ▶ **1101 (not sure)**
- ▶ 1011
- ▶ 1111

Question No: 12 (Marks: 1) - Please choose one

In a state diagram, the transition from a current state to the next state is determined by

- ▶ **Current state and the inputs (Page 232)**
- ▶ Current state and outputs
- ▶ Previous state and inputs
- ▶ Previous state and outputs

Question No: 13 (Marks: 1) - Please choose one

_____ is used to minimize the possible no. of states of a circuit.

- ▶ **State assignment (Page 341)**
- ▶ State reduction
- ▶ Next state table
- ▶ State diagram

Muhammad Moaaz Siddiq – MCS (2nd)

mc100401285@Gmail.com

**Campus:- Institute of E-Learning & Modern
Studies (IEMS) Samundari**

Question No: 14 (Marks: 1) - Please choose one

_____ is used to simplify the circuit that determines the next state.

- ▶ State diagram
- ▶ Next state table
- ▶ State reduction
- ▶ **State assignment (Page 335)**

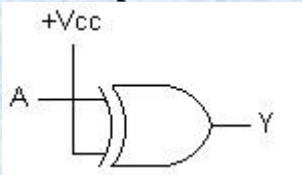
Question No: 15 (Marks: 1) - Please choose one

The best state assignment tends to _____.

- ▶ **Maximizes the number of state variables that don't change in a group of related states (Page 337)**
- ▶ Minimizes the number of state variables that don't change in a group of related states
- ▶ Minimize the equivalent states
- ▶ None of given options

Question No: 16 (Marks: 1) - Please choose one

The output of this circuit is always _____.



- ▶ 1
- ▶ 0
- ▶ **$\frac{A}{A}$ [Click here for detail](#) rep**
- ▶ $\frac{A}{A}$

Question No: 17 (Marks: 1) - Please choose one

A 8-bit serial in / parallel out shift register contains the value "8", _____ clock signal(s) will be required to shift the value completely out of the register.

- ▶ 1
- ▶ 2
- ▶ 4
- ▶ **8 (Page 356) rep**

Question No: 18 (Marks: 1) - Please choose one

5-bit Johnson counter sequences through _____ states

- ▶ 7
- ▶ **10 (Page 354)**
- ▶ 32
- ▶ 25

Question No: 19 (Marks: 1) - Please choose one

Assume that a 4-bit serial in/serial out shift register is initially clear. We wish to store the nibble 1100. What will be the 4-bit pattern after the second clock pulse? (Right-most bit first.)

- ▶ 1100
- ▶ 0011
- ▶ **0000** [Click here for detail](#) rep
- ▶ 1111

Question No: 20 (Marks: 1) - Please choose one

The address from which the data is read, is provided by _____

- ▶ Depends on circuitry
- ▶ None of given options
- ▶ RAM
- ▶ **Microprocessor (Page 397)**

Question No: 21 (Marks: 1) - Please choose one

FIFO is an acronym for _____

- ▶ **First In, First Out (Page 424)**
- ▶ Fly in, Fly Out
- ▶ Fast in, Fast Out
- ▶ None of given options

Question No: 22 (Marks: 1) - Please choose one

LUT is acronym for _____

- ▶ **Look Up Table (Page 439) rep**
- ▶ Local User Terminal
- ▶ Least Upper Time Period
- ▶ None of given options

Question No: 23 (Marks: 1) - Please choose one

The voltage gain of the Inverting Amplifier is given by the relation _____

- ▶ **$V_{out} / V_{in} = - R_f / R_i$ (Page 446)**
- ▶ $V_{out} / R_f = - V_{in} / R_i$
- ▶ $R_f / V_{in} = - R_i / V_{out}$
- ▶ $R_f / V_{in} = R_i / V_{out}$

Muhammad Moaaz Siddiq – MCS (2nd)

mc100401285@Gmail.com

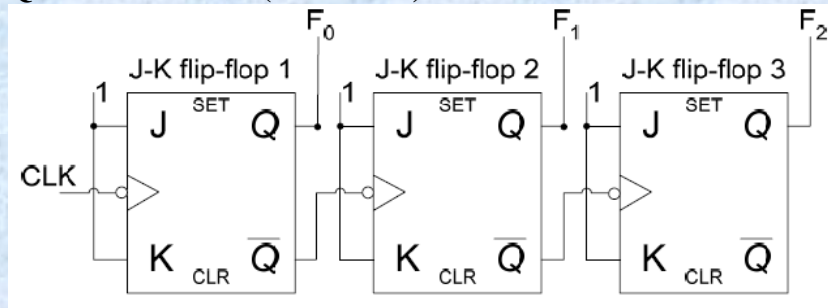
**Campus:- Institute of E-Learning & Modern
Studies (IEMS) Samundari**

Question No: 24 (Marks: 1) - Please choose one

_____ of a D/A converter is determined by comparing the actual output of a D/A converter with the expected output.

- ▶ Resolution
- ▶ **Accuracy (Page 460) rep**
- ▶ Quantization
- ▶ Missing Code

Question No: 25 (Marks: 1) - Please choose one



Above is the circuit diagram of _____.

- ▶ **Asynchronous up-counter (Page 270)**
- ▶ Asynchronous down-counter
- ▶ Synchronous up-counter
- ▶ Synchronous down-counter

Question No: 26 (Marks: 1) - Please choose one

The sequence of states that are implemented by a n-bit Johnson counter is

- ▶ $n+2$ (n plus 2)
- ▶ **$2n$ (n multiplied by 2) (Page 354)**
- ▶ 2^n (2 raise to power n)
- ▶ n^2 (n raise to power 2)

**FINAL TERM EXAMINATION
Spring 2010**

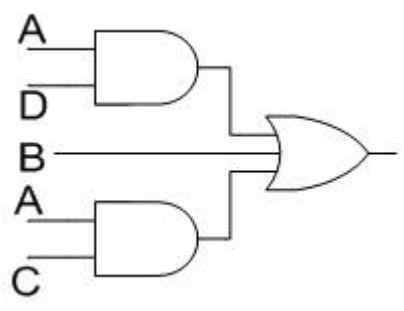
Question No: 1 (Marks: 1) - Please choose one

" $A + B = B + A$ " is _____

- ▶ Demorgan's Law
- ▶ Distributive Law
- ▶ **Commutative Law (Page 72)**
- ▶ Associative Law

Question No: 2 (Marks: 1) - Please choose one

The diagram given below represents _____



- ▶ Demorgans law
- ▶ Associative law
- ▶ Product of sum form
- ▶ **Sum of product form (Page 78) rep**

Question No: 3 (Marks: 1) - Please choose one

Following is standard POS expression

$$(A + \bar{B} + C + \bar{D})(A + \bar{B} + C + D)(A + B + \bar{C} + \bar{D})(A + B + C + \bar{D})(A + \bar{B} + \bar{C} + D)$$

- ▶ **True (Lecture 9)**
- ▶ False

Question No: 4 (Marks: 1) - Please choose one

An alternate method of implementing Comparators which allows the Comparators to be easily cascaded without the need for extra logic gates is _____

- ▶ Using a single comparator
- ▶ **Using Iterative Circuit based Comparators (Page 155)**
- ▶ Connecting comparators in vertical hierarchy
- ▶ Extra logic gates are always required.

Question No: 5 (Marks: 1) - Please choose one

Demultiplexer is also called

- ▶ Data selector
- ▶ Data router
- ▶ **Data distributor (Page 178)**
- ▶ Data encoder

Question No: 6 (Marks: 1) - Please choose one

The operation of J-K flip-flop is similar to that of the SR flip-flop except that the J-K flip-flop _____

- ▶ **Doesn't have an invalid state (Page 232) rep**
- ▶ Sets to clear when both $J = 0$ and $K = 0$
- ▶ It does not show transition on change in pulse
- ▶ It does not accept asynchronous inputs

Muhammad Moaaz Siddiq – MCS (2nd)

mc100401285@Gmail.com

**Campus:- Institute of E-Learning & Modern
Studies (IEMS) Samundari**

Question No: 7 (Marks: 1) - Please choose one

A positive edge-triggered flip-flop changes its state when _____

- ▶ **Low-to-high transition of clock (Page 228) rep**
- ▶ High-to-low transition of clock
- ▶ Enable input (EN) is set
- ▶ Preset input (PRE) is set

Question No: 8 (Marks: 1) - Please choose one

A flip-flop is connected to +5 volts and it draws 5 mA of current during its operation, the power dissipation of the flip-flop is

- ▶ 10 mW
- ▶ **25 mW (Page 242)**
- ▶ 64 mW
- ▶ 1024

Question No: 9 (Marks: 1) - Please choose one

_____ counters as the name indicates are not triggered simultaneously.

- ▶ **Asynchronous (Page 269)**
- ▶ Synchronous
- ▶ Positive-Edge triggered
- ▶ Negative-Edge triggered

Question No: 10 (Marks: 1) - Please choose one

74HC163 has two enable input pins which are _____ and _____

- ▶ **ENP, ENT (Page 285) rep**
- ▶ ENI, ENC
- ▶ ENP, ENC
- ▶ ENT, ENI

Question No: 11 (Marks: 1) - Please choose one

The divide-by-60 counter in digital clock is implemented by using two cascading counters:

- ▶ **Mod-6, Mod-10 (Page 299)**
- ▶ Mod-50, Mod-10
- ▶ Mod-10, Mod-50
- ▶ Mod-50, Mod-6

Muhammad Moaaz Siddiq – MCS (2nd)

mc100401285@Gmail.com

**Campus:- Institute of E-Learning & Modern
Studies (IEMS) Samundari**

Question No: 12 (Marks: 1) - Please choose one

In a state diagram, the transition from a current state to the next state is determined by

▶ **Current state and the inputs (Page 332)**

- ▶ Current state and outputs
- ▶ Previous state and inputs
- ▶ Previous state and outputs

Question No: 13 (Marks: 1) - Please choose one

A synchronous decade counter will have _____ flip-flops

- ▶ 3
- ▶ **4 (Page 281)**
- ▶ 7
- ▶ 10

Question No: 14 (Marks: 1) - Please choose one

_____ is used to minimize the possible no. of states of a circuit.

▶ **State assignment (Page 341) rep**

- ▶ State reduction
- ▶ Next state table
- ▶ State diagram

Question No: 15 (Marks: 1) - Please choose one

A multiplexer with a register circuit converts _____

- ▶ Serial data to parallel
- ▶ **Parallel data to serial (Page 356) rep**
- ▶ Serial data to serial
- ▶ Parallel data to parallel

Question No: 16 (Marks: 1) - Please choose one

The alternate solution for a demultiplexer-register combination circuit is _____

- ▶ Parallel in / Serial out shift register
- ▶ **Serial in / Parallel out shift register (Page 356)**
- ▶ Parallel in / Parallel out shift register
- ▶ Serial in / Serial Out shift register

Question No: 17 (Marks: 1) - Please choose one

A GAL is essentially a _____.

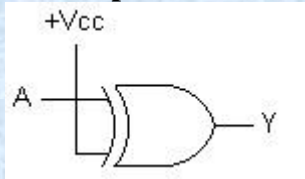
- ▶ Non-reprogrammable PAL
- ▶ PAL that is programmed only by the manufacturer
- ▶ Very large PAL
- ▶ **Reprogrammable PAL (Page 183) rep**

Muhammad Moaaz Siddiq – MCS (2nd)

mc100401285@Gmail.com

**Campus:- Institute of E-Learning & Modern
Studies (IEMS) Samundari**

Question No: 18 (Marks: 1) - Please choose one
The output of this circuit is always _____.



- ▶ 1
- ▶ 0
- ▶ **A** [Click here For detail](#) rep
- ▶ \bar{A}

Question No: 20 (Marks: 1) - Please choose one
in _____, all the columns in the same row are either read or written.

- ▶ Sequential Access
- ▶ MOS Access
- ▶ **FAST Mode Page Access (Page 413) rep**
- ▶ None of given options

Question No: 21 (Marks: 1) - Please choose one
FIFO is an acronym for _____

- ▶ **First In, First Out (Page 424) rep**
- ▶ Fly in, Fly Out
- ▶ Fast in, Fast Out
- ▶ None of given options

Question No: 22 (Marks: 1) - Please choose one

In order to synchronize two devices that consume and produce data at different rates, we can use _____

- ▶ Read Only Memory
- ▶ **Fist In First Out Memory (Page 425) rep**
- ▶ Flash Memory
- ▶ Fast Page Access Mode Memory

Question No: 23 (Marks: 1) - Please choose one

A frequency counter _____

- ▶ Counts pulse width
- ▶ **Counts no. of clock pulses in 1 second (Page 301) rep**
- ▶ Counts high and low range of given clock pulse
- ▶ None of given options

Question No: 24 (Marks: 1) - Please choose one

The sequence of states that are implemented by a n-bit Johnson counter is

- ▶ $n+2$ (n plus 2)
- ▶ **$2n$ (n multiplied by 2) (Page 354) rep**
- ▶ 2^n (2 raise to power n)
- ▶ n^2 (n raise to power 2)

Question No: 25 (Marks: 1) - Please choose one

Stack is an acronym for _____

- ▶ FIFO memory
- ▶ **LIFO memory (Page 429) rep**
- ▶ Flash Memory
- ▶ Bust Flash Memory

Question No: 26 (Marks: 1) - Please choose one

The 4-bit 2's complement representation of "+5" is _____

- ▶ 1010
- ▶ 1110
- ▶ 1011
- ▶ **0101 (Page 22)**

FINAL TERM EXAMINATION
Spring 2010

Question No: 1 (Marks: 1) - Please choose one

The storage cell in SRAM is

- ▶ a flip –flop
- ▶ **a capacitor (Page 407)**
- ▶ a fuse
- ▶ a magnetic domain

Question No: 2 (Marks: 1) - Please choose one

What is the difference between a D latch and a D flip-flop?

- ▶ The D latch has a clock input.
- ▶ The D flip-flop has an enable input.
- ▶ The D latch is used for faster operation.
- ▶ **The D flip-flop has a clock input.** [Click here for detail](#)

Muhammad Moaaz Siddiq – MCS (2nd)
mc100401285@Gmail.com

**Campus:- Institute of E-Learning & Modern
Studies (IEMS) Samundari**

Question No: 3 (Marks: 1) - Please choose one

For a positive edge-triggered J-K flip-flop with both J and K HIGH, the outputs will _____ if the clock goes HIGH.

▶ **toggle** [Click here for detail](#)

- ▶ set
- ▶ reset
- ▶ not change

Question No: 4 (Marks: 1) - Please choose one

The OR gate performs Boolean _____.

- ▶ multiplication
- ▶ subtraction
- ▶ division
- ▶ **addition (Page 42)**

Question No: 5 (Marks: 1) - Please choose one

If an S-R latch has a 1 on the S input and a 0 on the R input and then the S input goes to 0, the latch will be

- ▶ **set (Page 219)**
- ▶ reset
- ▶ invalid
- ▶ clear

5. Determine the values of A, B, C, and D that make the sum term $A(\bar{A}) + B + C(\bar{C}) + D$ equal to zero.

- ▶ A = 1, B = 0, C = 0, D = 0
- ▶ **A = 1, B = 0, C = 1, D = 0 (Lecture 8)**
- ▶ A = 0, B = 1, C = 0, D = 0
- ▶ A = 1, B = 0, C = 1, D = 1

Question No: 6 (Marks: 1) - Please choose one

The power dissipation, PD, of a logic gate is the product of the

- ▶ **dc supply voltage and the peak current** [Click here for detail](#)
- ▶ dc supply voltage and the average supply current
- ▶ ac supply voltage and the peak current
- ▶ ac supply voltage and the average supply current

Question No: 7 (Marks: 1) - Please choose one

A Karnaugh map is similar to a truth table because it presents all the possible values of input variables and the resulting output of each value.

- ▶ **True** [Click here for detail](#)
- ▶ False

Question No: 8 (Marks: 1) - Please choose one

NOR Gate can be used to perform the operation of AND, OR and NOT Gate

- ▶ **True (Page 50)**
- ▶ False

Muhammad Moaaz Siddiq – MCS (2nd)

mc100401285@Gmail.com

**Campus:- Institute of E-Learning & Modern
Studies (IEMS) Samundari**

Question No: 9 (Marks: 1) - Please choose one

Using multiplexer as parallel to serial converter requires _____ connected to the multiplexer

▶ **A parallel to serial converter circuit (Page 244)**

- ▶ A counter circuit
- ▶ A BCD to Decimal decoder
- ▶ A 2-to-8 bit decoder

Question No: 10 (Marks: 1) - Please choose one

The 3-variable Karnaugh Map (K-Map) has _____ cells for min or max terms

▶ 4

▶ **8 (Page 89)**

- ▶ 12
- ▶ 16

Question No: 11 (Marks: 1) - Please choose one

In designing any counter the transition from a current state to the next state is determined by

▶ **Current state and inputs (Page 332)**

- ▶ Only inputs
- ▶ Only current state
- ▶ current state and outputs

Question No: 12 (Marks: 1) - Please choose one

Sum term (Max term) is implemented using _____ gates

▶ **OR (Page 78)**

- ▶ AND
- ▶ NOT
- ▶ OR-AND

Question No: 13 (Marks: 1) - Please choose one

Given the state diagram of an up/down counter, we can find _____

▶ **The next state of a given present state (Page 371) rep**

- ▶ The previous state of a given present state
- ▶ Both the next and previous states of a given state
- ▶ The state diagram shows only the inputs/outputs of a given states

Question No: 14 (Marks: 1) - Please choose one

AT T0 THE VALUE STORED IN A 4-BIT LEFT SHIFT WAS "1". WHAT WILL BE THE VALUE OF REGISTER AFTER THREE CLOCK PULSES?

- ▶ 2
- ▶ 4
- ▶ 6
- ▶ **8 (not sure)**

Muhammad Moaaz Siddiq – MCS (2nd)

mc100401285@Gmail.com

**Campus:- Institute of E-Learning & Modern
Studies (IEMS) Samundari**

Question No: 15 (Marks: 1) - Please choose one

WHEN BOTH THE INPUTS OF EDGE-TRIGGERED J-K FLOP-FLOP ARE SET TO LOGIC ZERO

- ▶ THE FLOP-FLOP IS TRIGGERED
- ▶ $Q=0$ AND $Q'=1$
- ▶ **$Q=1$ AND $Q'=0$ (Page 233)**
- ▶ THE OUTPUT OF FLIP-FLOP REMAINS UNCHANGED

Question No: 16 (Marks: 1) - Please choose one

If $S=1$ and $R=0$, then $Q(t+1) =$ _____ for positive edge triggered flip-flop

- ▶ 0
- ▶ **1 (Page 230)**
- ▶ Invalid
- ▶ Input is invalid

If $S=1$ and $R=1$, then $Q(t+1) =$ _____ for negative edge triggered flip-flop

- ▶ 0
- ▶ 1
- ▶ **Invalid (Page 233)**
- ▶ Input is invalid

Question No: 17 (Marks: 1) - Please choose one

The minimum time for which the input signal has to be maintained at the input of flip-flop is called _____ of the flip-flop.

- ▶ Set-up time
- ▶ **Hold time (Page 242) rep**
- ▶ Pulse Interval time
- ▶ Pulse Stability time (PST)

Question No: 18 (Marks: 1) - Please choose one

We have a digital circuit. Different parts of circuit operate at different clock frequencies (4MHZ, 2MHZ and 1MHZ), but we have a single clock source having a fix clock frequency (4MHZ), we can get help by

- ▶ Using S-R Flop-Flop
- ▶ D-flipflop
- ▶ **J-K flip-flop (Page 252)**
- ▶ T-Flip-Flop

Question No: 19 (Marks: 1) - Please choose one

A counter is implemented using three (3) flip-flops, possibly it will have _____ maximum output status.

- ▶ 3
- ▶ 7
- ▶ **8 (Page 272)**
- ▶ 15

Muhammad Moaaz Siddiq – MCS (2nd)

mc100401285@gmail.com

**Campus:- Institute of E-Learning & Modern
Studies (IEMS) Samundari**

Question No: 20 (Marks: 1) - Please choose one

In _____ Q output of the last flip-flop of the shift register is connected to the data input of the first flip-flop of the shift register.

- ▶ Moore machine
- ▶ Meally machine
- ▶ Johnson counter

▶ **Ring counter (Page 355)**

Question No: 21 (Marks: 1) - Please choose one

The _____ of a ROM is the time it takes for the data to appear at the Data Output of the ROM chip after an address is applied at the address input lines

- ▶ Write Time
- ▶ Recycle Time
- ▶ Refresh Time

▶ **Access Time (Page 417)**

Question No: 22 (Marks: 1) - Please choose one

Bi-stable devices remain in either of their _____ states unless the inputs force the device to switch its state

- ▶ Ten
- ▶ Eight
- ▶ Three

▶ **Two (Page 262)**

Question No: 23 (Marks: 1) - Please choose one

_____ occurs when the same clock signal arrives at different times at different clock inputs due to propagation delay.

- ▶ Race condition

▶ **Clock Skew (Page 226) rep**

- ▶ Ripple Effect
- ▶ None of given options

Question No: 24 (Marks: 1) - Please choose one

The alternate solution for a multiplexer and a register circuit is _____

▶ **Parallel in / Serial out shift register (Page 356)**

- ▶ Serial in / Parallel out shift register
- ▶ Parallel in / Parallel out shift register
- ▶ Serial in / Serial Out shift register

Question No: 25 (Marks: 1) - Please choose one

Stack is an acronym for _____

- ▶ FIFO memory

▶ **LIFO memory (Page 429) rep**

- ▶ Flash Memory
- ▶ Bust Flash Memory

Muhammad Moaaz Siddiq – MCS (2nd)

mc100401285@Gmail.com

**Campus:- Institute of E-Learning & Modern
Studies (IEMS) Samundari**

Question No: 26 (Marks: 1) - Please choose one

A full-adder has a $C_{in} = 0$. What are the sum (σ) and the carry (Cout) when $A = 1$ and $B = 1$?

▶ $\sigma = 0$, Cout = 0

▶ **$\sigma = 0$, Cout = 1 (Page 135)**

▶ $\sigma = 1$, Cout = 0

▶ $\sigma = 1$, Cout = 1

Question No: 27 (Marks: 1) - Please choose one

THE GLITCHES DUE TO RACE CONDITION CAN BE AVOIDED BY USING A _____

▶ GATED FLIP-FLOPS

▶ PULSE TRIGGERED FLIP-FLOPS

▶ POSITIVE-EDGE TRIGGERED FLIP-FLOPS

▶ **NEGATIVE-EDGE TRIGGERED FLIP-FLOPS (Page 267)**

Question No: 28 (Marks: 1) - Please choose one

The design and implementation of synchronous counters start from _____

▶ Truth table

▶ k-map

▶ state table

▶ **state diagram (Page 319)**

Question No: 29 (Marks: 1) - Please choose one

THE HOURS COUNTER IS IMPLEMENTED USING _____

▶ ONLY A SINGLE MOD-12 COUNTER IS REQUIRED

▶ MOD-10 AND MOD-6 COUNTERS

▶ MOD-10 AND MOD-2 COUNTERS

▶ **A SINGLE DECADE COUNTER AND A FLIP-FLOP (Page 299)**

Question No: 30 (Marks: 1) - Please choose one

Given the state diagram of an up/down counter, we can find _____

▶ **The next state of a given present state (Page 371) rep**

▶ The previous state of a given present state

▶ Both the next and previous states of a given state

▶ The state diagram shows only the inputs/outputs of a given states

Question No: 31 (Marks: 1) - Please choose one

LUT is acronym for _____

▶ **Look Up Table (Page 439) rep**

▶ Local User Terminal

▶ Least Upper Time Period

▶ None of given options

Muhammad Moaaz Siddiq – MCS (2nd)

mc100401285@Gmail.com

**Campus:- Institute of E-Learning & Modern
Studies (IEMS) Samundari**

Question No: 32 (Marks: 1) - Please choose one

_____ of a D/A converter is determined by comparing the actual output of a D/A converter with the expected output.

- ▶ Resolution
- ▶ **Accuracy (Page 460) rep**
- ▶ Quantization
- ▶ Missing Code

Question No: 33 (Marks: 1) - Please choose one

_____ is used to simplify the circuit that determines the next state.

- ▶ State diagram
- ▶ **Next state table**
- ▶ State reduction
- ▶ **State assignment (Page 335) rep**

Question No: 34 (Marks: 1) - Please choose one

The high density FLASH memory cell is implemented using _____

- ▶ **1 floating-gate MOS transistor (Page 419)**
- ▶ 2 floating-gate MOS transistors
- ▶ 4 floating-gate MOS transistors
- ▶ 6 floating-gate MOS transistors

Question No: 35 (Marks: 1) - Please choose one

Q2 := Q1 OR X OR Q3

The above ABEL expression will be

- ▶ $Q2 := Q1 \ \$ \ X \ \$ \ Q3$
- ▶ **$Q2 := Q1 \ # \ X \ # \ Q3$ (Page 210)**
- ▶ $Q2 := Q1 \ \& \ X \ \& \ Q3$
- ▶ $Q2 := Q1 \ ! \ X \ ! \ Q3$

Question No: 36 (Marks: 1) - Please choose one

Generally, the Power dissipation of _____ devices remains constant throughout their operation.

- ▶ **TTL (Page 65)**
- ▶ CMOS 3.5 series
- ▶ CMOS 5 Series
- ▶ Power dissipation of all circuits increases with time.

Question No: 37 (Marks: 1) - Please choose one

When the control line in tri-state buffer is high the buffer operates like a _____ gate

- ▶ AND
- ▶ OR
- ▶ **NOT (Page 196)**
- ▶ XOR

Muhammad Moaaz Siddiq – MCS (2nd)

mc100401285@Gmail.com

**Campus:- Institute of E-Learning & Modern
Studies (IEMS) Samundari**

Question No: 38 (Marks: 1) - Please choose one

3.3 v CMOS series is characterized by _____ and _____ as compared to the 5 v CMOS series.

- ▶ Low switching speeds, high power dissipation
- ▶ Fast switching speeds, high power dissipation
- ▶ **Fast switching speeds, very low power dissipation (Page 61)**
- ▶ Low switching speeds, very low power dissipation

**FINALTERM EXAMINATION
Fall 2009**

Question No: 1 (Marks: 1) - Please choose one

The output of an AND gate is one when _____

- ▶ **All of the inputs are one (Page 40)**
- ▶ Any of the input is one
- ▶ Any of the input is zero
- ▶ All the inputs are zero

Question No: 2 (Marks: 1) - Please choose one

The OR Gate performs a Boolean _____ function

- ▶ **Addition (Page 42) rep**
- ▶ Subtraction
- ▶ Multiplication
- ▶ Division

Question No: 3 (Marks: 1) - Please choose one

A Karnaugh map is similar to a truth table because it presents all the possible values of input variables and the resulting output of each value.

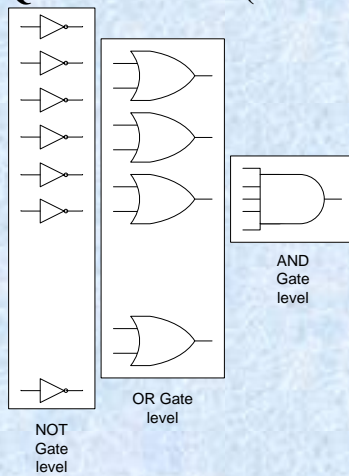
- ▶ **True rep [Click here for Detail](#)**
- ▶ False

Question No: 4 (Marks: 1) - Please choose one

The binary numbers $A = 1100$ and $B = 1001$ are applied to the inputs of a comparator. What are the output levels?

- ▶ $A > B = 1, A < B = 0, A = B = 1$
- ▶ $A > B = 0, A < B = 1, A = B = 0$
- ▶ **$A > B = 1, A < B = 0, A = B = 0$ (Page 109)**
- ▶ **$A > B = 0, A < B = 1, A = B = 1$**

Question No: 5 (Marks: 1) - Please choose one

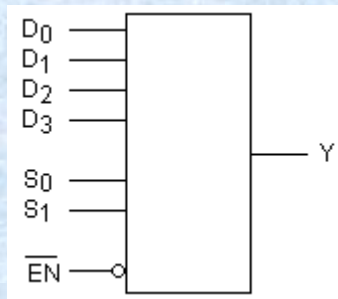


The diagram above shows the general implementation of _____ form

- ▶ boolean
- ▶ arbitrary
- ▶ **POS (Page 122)**
- ▶ SOP

Question No: 6 (Marks: 1) - Please choose one

The device shown here is most likely a



- ▶ Comparator
- ▶ **Multiplexer [Click here for detail](#)**
- ▶ Demultiplexer
- ▶ Parity generator

Question No: 7 (Marks: 1) - Please choose one

Demultiplexer converts _____ data to _____ data

- ▶ Parallel data, serial data
- ▶ **Serial data, parallel data (Page 356)**
- ▶ Encoded data, decoded data
- ▶ All of the given options.

Muhammad Moaaz Siddiq – MCS (2nd)

mc100401285@Gmail.com

**Campus:- Institute of E-Learning & Modern
Studies (IEMS) Samundari**

Question No: 8 (Marks: 1) - Please choose one

Flip flops are also called _____

- ▶ Bi-stable dualvibrators
- ▶ Bi-stable transformer
- ▶ **Bi-stable multivibrators (Page 228) rep**
- ▶ Bi-stable singlevibrators

Question No: 9 (Marks: 1) - Please choose one

If $S=1$ and $R=0$, then $Q(t+1) =$ _____ for positive edge triggered flip-flop

- ▶ 0
- ▶ **1 (Page 230)**
- ▶ Invalid
- ▶ Input is invalid

Question No: 10 (Marks: 1) - Please choose one

If $S=1$ and $R=1$, then $Q(t+1) =$ _____ for negative edge triggered flip-flop

- ▶ 0
- ▶ 1
- ▶ **Invalid (Page 230)**
- ▶ Input is invalid

Question No: 11 (Marks: 1) - Please choose one

The operation of J-K flip-flop is similar to that of the SR flip-flop except that the J-K flip-flop _____

- ▶ **Doesn't have an invalid state (Page 232) rep**
- ▶ Sets to clear when both $J = 0$ and $K = 0$
- ▶ It does not show transition on change in pulse
- ▶ It does not accept asynchronous inputs

Question No: 12 (Marks: 1) - Please choose one

The minimum time for which the input signal has to be maintained at the input of flip-flop is called _____ of the flip-flop.

- ▶ Set-up time
- ▶ **Hold time (Page 242)**
- ▶ Pulse Interval time
- ▶ Pulse Stability time (PST)

Question No: 13 (Marks: 1) - Please choose one

We have a digital circuit. Different parts of circuit operate at different clock frequencies (4MHZ, 2MHZ and 1MHZ), but we have a single clock source having a fix clock frequency (4MHZ), we can get help by _____

- ▶ Using S-R Flop-Flop
- ▶ D-flipflop
- ▶ **J-K flip-flop (Page 252)**
- ▶ T-Flip-Flop

Muhammad Moaaz Siddiq – MCS (2nd)

mc100401285@Gmail.com

**Campus:- Institute of E-Learning & Modern
Studies (IEMS) Samundari**

Question No: 14 (Marks: 1) - Please choose one

In asynchronous digital systems all the circuits change their state with respect to a common clock

- ▶ True
- ▶ **False (Page 245)**

Question No: 15 (Marks: 1) - Please choose one

A positive edge-triggered flip-flop changes its state when _____

- ▶ **Low-to-high transition of clock (Page 228) rep**
- ▶ High-to-low transition of clock
- ▶ Enable input (EN) is set
- ▶ Preset input (PRE) is set

Question No: 16 (Marks: 1) - Please choose one

A negative edge-triggered flip-flop changes its state when _____

- ▶ Enable input (EN) is set
- ▶ Preset input (PRE) is set
- ▶ Low-to-high transition of clock
- ▶ **High-to-low transition of clock (Page 228)**

Question No: 17 (Marks: 1) - Please choose one

A flip-flop is connected to +5 volts and it draws 5 mA of current during its operation, the power dissipation of the flip-flop is

- ▶ 10 mW
- ▶ **25 mW (Page 242)**
- ▶ 64 mW
- ▶ 1024

Question No: 18 (Marks: 1) - Please choose one

_____ occurs when the same clock signal arrives at different times at different clock inputs due to propagation delay.

- ▶ Race condition
- ▶ **Clock Skew (Page 226) rep**
- ▶ Ripple Effect
- ▶ None of given options

Question No: 19 (Marks: 1) - Please choose one

A counter is implemented using three (3) flip-flops, possibly it will have _____ maximum output status.

- ▶ 3
- ▶ 7
- ▶ **8 (Page 272) rep**
- ▶ 15

Muhammad Moaaz Siddiq – MCS (2nd)

mc100401285@Gmail.com

**Campus:- Institute of E-Learning & Modern
Studies (IEMS) Samundari**

Question No: 20 (Marks: 1) - Please choose one

A divide-by-50 counter divides the input _____ signal to a 1 Hz signal.

- ▶ 10 Hz
- ▶ **50 Hz (Page 298)**
- ▶ 100 Hz
- ▶ 500 Hz

Question No: 21 (Marks: 1) - Please choose one

The design and implementation of synchronous counters start from _____

- ▶ Truth table
- ▶ k-map
- ▶ state table
- ▶ **state diagram (Page 319)**

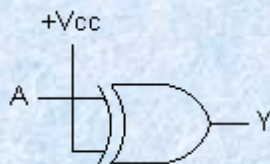
Question No: 22 (Marks: 1) - Please choose one

A synchronous decade counter will have _____ flip-flops

- ▶ 3
- ▶ **4 (Page 281) rep**
- ▶ 7
- ▶ 10

Question No: 23 (Marks: 1) - Please choose one

The output of this circuit is always _____.



- ▶ 1
- ▶ 0
- ▶ **A [Click here for Detail](#) rep**
- ▶ \bar{A}

Question No: 24 (Marks: 1) - Please choose one

At T₀ the value stored in a 4-bit left shift was “1”. What will be the value of register after three clock pulses?

- ▶ 2
- ▶ 4
- ▶ 6
- ▶ **8 (not sure) rep**

Muhammad Moaaz Siddiq – MCS (2nd)

mc100401285@Gmail.com

**Campus:- Institute of E-Learning & Modern
Studies (IEMS) Samundari**

Question No: 25 (Marks: 1) - Please choose one

In _____ the \overline{Q} output of the last flip-flop of the shift register is connected to the data input of the first flip-flop.

- ▶ Moore machine
- ▶ Meally machine
- ▶ **Johnson counter (Page 354)**
- ▶ Ring counter

Question No: 26 (Marks: 1) - Please choose one

In _____ Q output of the last flip-flop of the shift register is connected to the data input of the first flip-flop of the shift register.

- ▶ Moore machine
- ▶ Meally machine
- ▶ Johnson counter
- ▶ **Ring counter (Page 355) rep**

Question No: 27 (Marks: 1) - Please choose one

Which is not characteristic of a shift register?

- ▶ **Serial in/parallel in (Page 346)**
- ▶ Serial in/parallel out
- ▶ Parallel in/serial out
- ▶ Parallel in/parallel out

Question No: 28 (Marks: 1) - Please choose one

Assume that a 4-bit serial in/serial out shift register is initially clear. We wish to store the nibble 1100. What will be the 4-bit pattern after the second clock pulse? (Right-most bit first.)

- ▶ **1100**
- ▶ 0011
- ▶ **0000 [Click here for detail](#) rep**
- ▶ 1111

Question No: 29 (Marks: 1) - Please choose one

The _____ of a ROM is the time it takes for the data to appear at the Data Output of the ROM chip after an address is applied at the address input lines

- ▶ Write Time
- ▶ Recycle Time
- ▶ Refresh Time
- ▶ **Access Time (Page 417) rep**

Muhammad Moaaz Siddiq – MCS (2nd)

mc100401285@Gmail.com

**Campus:- Institute of E-Learning & Modern
Studies (IEMS) Samundari**

Question No: 30 (Marks: 1) - Please choose one

The sequence of states that are implemented by a n-bit Johnson counter is

- ▶ $n+2$ (n plus 2)
- ▶ **$2n$ (n multiplied by 2) (Page 354) rep**
- ▶ 2^n (2 raise to power n)
- ▶ n^2 (n raise to power 2)

**FINALTERM EXAMINATION
Fall 2009**

Question No: 1 (Marks: 1) - Please choose one

NOR Gate can be used to perform the operation of AND, OR and NOT Gate

- ▶ FALSE
- ▶ **TRUE (Page 250)**

Question No: 2 (Marks: 1) - Please choose one

The output of an XNOR gate is 1 when _____

- I) All the inputs are zero
 - II) Any of the inputs is zero
 - III) Any of the inputs is one
 - IV) All the inputs are one
- ▶ I Only
 - ▶ IV Only
 - ▶ I and IV only
 - ▶ **II and III only (Page 53)**

Question No: 3 (Marks: 1) - Please choose one

NAND gate is formed by connecting _____

- ▶ **AND Gate and then NOT Gate (Page 45)**
- ▶ NOT Gate and then AND Gate
- ▶ AND Gate and then OR Gate
- ▶ OR Gate and then AND Gate

Question No: 4 (Marks: 1) - Please choose one

Consider $A=1, B=0, C=1$. A, B and C represent the input of three bit NAND gate the output of the NAND gate will be _____

- ▶ Zero
- ▶ **One (Page 46)**
- ▶ Undefined
- ▶ No output as input is invalid

Question No: 5 (Marks: 1) - Please choose one

The capability that allows the PLDs to be programmed after they have been installed on a circuit board is called

- ▶ Radiation-Erase programming method (REPM)
- ▶ **In-System Programming (ISP) (Page 194)**
- ▶ In-chip Programming (ICP)
- ▶ Electronically-Erase programming method (EEPROM)

Question No: 6 (Marks: 1) - Please choose one

The ABEL symbol for “OR” operation is

- ▶ !
- ▶ &
- ▶ **# (Page 201) rep**
- ▶ \$

Question No: 7 (Marks: 1) - Please choose one

If $S=1$ and $R=1$, then $Q(t+1) =$ _____ for negative edge triggered flip-flop

- ▶ 0
- ▶ 1
- ▶ **Invalid (Page 230) rep**
- ▶ Input is invalid

Question No: 8 (Marks: 1) - Please choose one

The operation of J-K flip-flop is similar to that of the SR flip-flop except that the J-K flip-flop _____

- ▶ **Doesn't have an invalid state (Page 232) rep**
- ▶ Sets to clear when both $J = 0$ and $K = 0$
- ▶ It does not show transition on change in pulse
- ▶ It does not accept asynchronous inputs

Question No: 9 (Marks: 1) - Please choose one

For a gated D-Latch if $EN=1$ and $D=1$ then $Q(t+1) =$ _____

- ▶ 0
- ▶ **1 (Page 227) rep**
- ▶ $Q(t)$
- ▶ Invalid

Question No: 10 (Marks: 1) - Please choose one

In asynchronous digital systems all the circuits change their state with respect to a common clock

- ▶ True
- ▶ **False (Page 245) rep**

Muhammad Moaaz Siddiq – MCS (2nd)

mc100401285@Gmail.com

**Campus:- Institute of E-Learning & Modern
Studies (IEMS) Samundari**

Question No: 11 (Marks: 1) - Please choose one

A positive edge-triggered flip-flop changes its state when _____

- ▶ **Low-to-high transition of clock (Page 228) rep**
- ▶ High-to-low transition of clock
- ▶ Enable input (EN) is set
- ▶ Preset input (PRE) is set

Question No: 12 (Marks: 1) - Please choose one

_____ is one of the examples of asynchronous inputs.

- ▶ J-K input
- ▶ S-R input
- ▶ D input
- ▶ **Clear Input (CLR) (Page 235) rep**

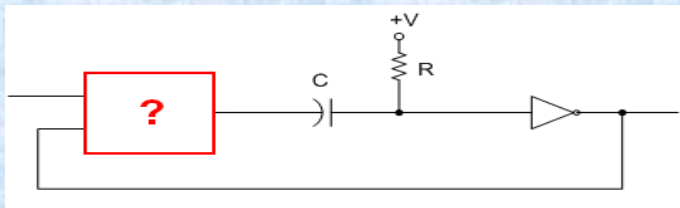
Question No: 13 (Marks: 1) - Please choose one

The _____ input overrides the _____ input

- ▶ **Asynchronous, synchronous (Page 369) rep**
- ▶ Synchronous, asynchronous
- ▶ Preset input (PRE), Clear input (CLR)
- ▶ Clear input (CLR), Preset input (PRE)

Question No: 14 (Marks: 1) - Please choose one

Following Is the circuit diagram of mono-stable device which gate will be replaced by the red colored rectangle in the circuit.



- ▶ AND
- ▶ NAND
- ▶ NOR
- ▶ **XNOR (Page 262)**

Question No: 15 (Marks: 1) - Please choose one

In _____ outputs depend only on the combination of current state and inputs.

- ▶ **Mealy machine (Page 332)**
- ▶ Moore Machine
- ▶ State Reduction table
- ▶ State Assignment table

Muhammad Moaaz Siddiq – MCS (2nd)

mc100401285@Gmail.com

**Campus:- Institute of E-Learning & Modern
Studies (IEMS) Samundari**

Question No: 16 (Marks: 1) - Please choose one

_____ is used to simplify the circuit that determines the next state.

- ▶ State diagram
- ▶ Next state table
- ▶ State reduction
- ▶ **State assignment (Page 335) rep**

Question No: 17 (Marks: 1) - Please choose one

A multiplexer with a register circuit converts _____

- ▶ Serial data to parallel
- ▶ **Parallel data to serial (Page 356) rep**
- ▶ Serial data to serial
- ▶ Parallel data to parallel

Question No: 18 (Marks: 1) - Please choose one

In asynchronous transmission when the transmission line is idle, _____

- ▶ It is set to logic low
- ▶ **It is set to logic high (Page 356) rep**
- ▶ Remains in previous state
- ▶ State of transmission line is not used to start transmission

Question No: 19 (Marks: 1) - Please choose one

In the following statement

Z PIN 20 ISTYPE 'reg.invert';

The keyword "reg.invert" indicates _____

- ▶ An inverted register input
- ▶ An inverted register input at pin 20
- ▶ Active-high Registered Mode output
- ▶ **Active-low Registered Mode output (Page 360)**

Question No: 20 (Marks: 1) - Please choose one

A Nibble consists of _____ bits

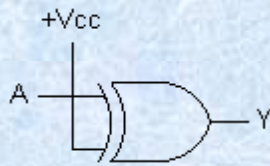
- ▶ 2
- ▶ **4 (Page 394)**
- ▶ 8
- ▶ 16

Muhammad Moaaz Siddiq – MCS (2nd)

mc100401285@Gmail.com

**Campus:- Institute of E-Learning & Modern
Studies (IEMS) Samundari**

Question No: 21 (Marks: 1) - Please choose one
The output of this circuit is always _____.



- ▶ 1
- ▶ 0
- ▶ **A** [Click here for detail](#) rep
- ▶ \bar{A}

Question No: 22 (Marks: 1) - Please choose one

At T₀ the value stored in a 4-bit left shift was “1”. What will be the value of register after three clock pulses?

- ▶ 2
- ▶ 4
- ▶ 6
- ▶ **8** (not sure) rep

Question No: 23 (Marks: 1) - Please choose one

A bidirectional 4-bit shift register is storing the nibble 1110. Its RIGHT/LEFT input is LOW. The nibble 0111 is waiting to be entered on the serial data-input line. After two clock pulses, the shift register is storing _____.

- ▶ 1110
- ▶ 0111
- ▶ 1000
- ▶ **1001** [Click he re for detail](#)

Question No: 24 (Marks: 1) - Please choose one

The high density FLASH memory cell is implemented using _____

- ▶ **1 floating-gate MOS transistor** (Page 419) rep
- ▶ 2 floating-gate MOS transistors
- ▶ 4 floating-gate MOS transistors
- ▶ 6 floating-gate MOS transistors

Question No: 25 (Marks: 1) - Please choose one

In order to synchronize two devices that consume and produce data at different rates, we can use _____

- ▶ Read Only Memory
- ▶ **Fist In First Out Memory** (Page 425)
- ▶ Flash Memory
- ▶ Fast Page Access Mode Memory

Question No: 26 (Marks: 1) - Please choose one

If the FIFO Memory output is already filled with data then _____

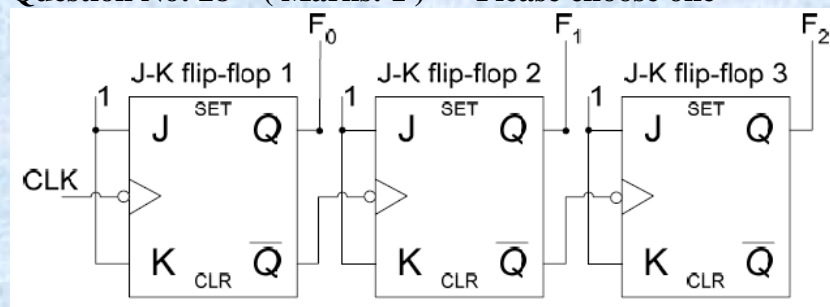
- ▶ It is locked; no data is allowed to enter
- ▶ It is not locked; the new data overwrites the previous data.
- ▶ Previous data is swapped out of memory and new data enters
- ▶ **None of given options**

Question No: 27 (Marks: 1) - Please choose one

The process of converting the analogue signal into a digital representation (code) is known as _____

- ▶ Strobing
- ▶ Amplification
- ▶ **Quantization (Page 445)**
- ▶ Digitization

Question No: 28 (Marks: 1) - Please choose one



Above is the circuit diagram of _____.

- ▶ **Asynchronous up-counter (Page 270) rep**
- ▶ Asynchronous down-counter
- ▶ Synchronous up-counter
- ▶ Synchronous down-counter

Question No: 29 (Marks: 1) - Please choose one

$(A + B)(A + \bar{B} + C)(\bar{A} + C)$ is an example of _____

- ▶ **Product of sum form (Page 77)**
- ▶ Sum of product form
- ▶ Demorgans law
- ▶ Associative law

Question No: 30 (Marks: 1) - Please choose one

$Q2 := Q1 \text{ OR } X \text{ OR } Q3$

The above ABEL expression will be

- ▶ $Q2 := Q1 \$ X \$ Q3$
- ▶ **$Q2 := Q1 \# X \# Q3$ (Page 210)**
- ▶ $Q2 := Q1 \& X \& Q3$
- ▶ $Q2 := Q1 ! X ! Q3$

Muhammad Moaaz Siddiq – MCS (2nd)

mc100401285@Gmail.com

**Campus:- Institute of E-Learning & Modern
Studies (IEMS) Samundari**

FINALTERM EXAMINATION
Fall 2009

Question No: 1 (Marks: 1) - Please choose one

Caveman number system is Base _____ number system

- ▶ 2
- ▶ **5 (Page 11)**
- ▶ 10
- ▶ 16

Question No: 2 (Marks: 1) - Please choose one

The output of an XOR gate is zero (0) when _____

- I) All the inputs are zero
- II) Any of the inputs is zero
- III) Any of the inputs is one
- IV) All the inputs are one

- ▶ I Only
- ▶ IV Only
- ▶ **I and IV only (Page 53)**
- ▶ II and III only

Question No: 3 (Marks: 1) - Please choose one

The decimal “17” in BCD will be represented as _____ **10001(right opt is not given)**

- ▶ 11101
- ▶ 11011
- ▶ **10111 (According to rule) rep**
- ▶ 11110

Question No: 4 (Marks: 1) - Please choose one

A Karnaugh map is similar to a truth table because it presents all the possible values of input variables and the resulting output of each value.

- ▶ **True [Click here for Detail](#) rep**
- ▶ False

Question No: 5 (Marks: 1) - Please choose one

The simplest and most commonly used Decoders are the _____ Decoders

- ▶ **n to 2n (Page 158)**
- ▶ (n-1) to 2n
- ▶ (n-1) to (2n-1)
- ▶ n to 2n-1

Question No: 6 (Marks: 1) - Please choose one

The _____ Encoder is used as a keypad encoder.

- ▶ 2-to-8 encoder
- ▶ 4-to-16 encoder
- ▶ BCD-to-Decimal
- ▶ **Decimal-to-BCD Priority (Page 166)**

Question No: 7 (Marks: 1) - Please choose one

3-to-8 decoder can be used to implement Standard SOP and POS Boolean expressions

- ▶ **True (Page 161)**
- ▶ False

Question No: 8 (Marks: 1) - Please choose one

If $S=1$ and $R=0$, then $Q(t+1) =$ _____ for positive edge triggered flip-flop

- ▶ 0
- ▶ **1 (Page 230)**
- ▶ Invalid
- ▶ Input is invalid

Question No: 9 (Marks: 1) - Please choose one

If the S and R inputs of the gated S-R latch are connected together using a _____ gate then there is only a single input to the latch. The input is represented by D instead of S or R (A gated D-Latch)

- ▶ AND
- ▶ OR
- ▶ **NOT (Page 226)**
- ▶ XOR

Question No: 10 (Marks: 1) - Please choose one

In asynchronous digital systems all the circuits change their state with respect to a common clock

- ▶ True
- ▶ **False (Page 245) rep**

Question No: 11 (Marks: 1) - Please choose one

The low to high or high to low transition of the clock is considered to be a(n) _____

- ▶ State
- ▶ **Edge (Page 228)**
- ▶ Trigger
- ▶ One-shot

Question No: 12 (Marks: 1) - Please choose one

A positive edge-triggered flip-flop changes its state when _____

▶ **Low-to-high transition of clock (Page 228)**

- ▶ High-to-low transition of clock
- ▶ Enable input (EN) is set
- ▶ Preset input (PRE) is set

Question No: 13 (Marks: 1) - Please choose one

RCO Stands for _____

- ▶ Reconfiguration Counter Output
- ▶ Reconfiguration Clock Output
- ▶ Ripple Counter Output
- ▶ **Ripple Clock Output (Page 285)**

Question No: 14 (Marks: 1) - Please choose one

Bi-stable devices remain in either of their _____ states unless the inputs force the device to switch its state

- ▶ Ten
- ▶ Eight
- ▶ Three
- ▶ **Two (Page 262) rep**

Question No: 15 (Marks: 1) - Please choose one

_____ is one of the examples of asynchronous inputs.

- ▶ J-K input
- ▶ S-R input
- ▶ D input
- ▶ **Clear Input (CLR) (Page 255) rep**

Question No: 16 (Marks: 1) - Please choose one

_____ occurs when the same clock signal arrives at different times at different clock inputs due to propagation delay.

- ▶ Race condition
- ▶ **Clock Skew (Page 226) rep**
- ▶ Ripple Effect
- ▶ None of given options

Question No: 17 (Marks: 1) - Please choose one

A transparent mode means _____

- ▶ **The changes in the data at the inputs of the latch are seen at the output (Page 245)**
- ▶ The changes in the data at the inputs of the latch are not seen at the output
- ▶ Propagation Delay is zero (Output is immediately changed when clock signal is applied)
- ▶ Input Hold time is zero (no need to maintain input after clock transition)

Muhammad Moaaz Siddiq – MCS (2nd)

mc100401285@Gmail.com

**Campus:- Institute of E-Learning & Modern
Studies (IEMS) Samundari**

Question No: 18 (Marks: 1) - Please choose one

In _____ outputs depend only on the current state.

- ▶ Mealy machine
- ▶ **Moore Machine (Page 332)**
- ▶ State Reduction table
- ▶ State Assignment table

Question No: 19 (Marks: 1) - Please choose one

The alternate solution for a multiplexer and a register circuit is _____

- ▶ **Parallel in / Serial out shift register (Page 356) rep**
- ▶ Serial in / Parallel out shift register
- ▶ Parallel in / Parallel out shift register
- ▶ Serial in / Serial Out shift register

Question No: 20 (Marks: 1) - Please choose one

The alternate solution for a demultiplexer-register combination circuit is _____

- ▶ Parallel in / Serial out shift register
- ▶ **Serial in / Parallel out shift register (Page 356) rep**
- ▶ Parallel in / Parallel out shift register
- ▶ Serial in / Serial Out shift register

Question No: 21 (Marks: 1) - Please choose one

In asynchronous transmission when the transmission line is idle, _____

- ▶ It is set to logic low
- ▶ **It is set to logic high (Page 356) rep**
- ▶ Remains in previous state
- ▶ State of transmission line is not used to start transmission

Question No: 22 (Marks: 1) - Please choose one

Smallest unit of binary data is a _____

- ▶ **Bit (Page 394)**
- ▶ Nibble
- ▶ Byte
- ▶ Word

Question No: 23 (Marks: 1) - Please choose one

A Nibble consists of _____ bits

- ▶ 2
- ▶ **4 (Page 394) rep**
- ▶ 8
- ▶ 16

Question No: 24 (Marks: 1) - Please choose one

A GAL is essentially a _____.

- ▶ Non-reprogrammable PAL
- ▶ PAL that is programmed only by the manufacturer
- ▶ Very large PAL
- ▶ **Reprogrammable PAL (Page 183) rep**

Question No: 25 (Marks: 1) - Please choose one

A 8-bit serial in / parallel out shift register contains the value “8”, _____ clock signal(s) will be required to shift the value completely out of the register.

- ▶ 1
- ▶ 2
- ▶ 4
- ▶ **8 (Page 356) rep**

Question No: 26 (Marks: 1) - Please choose one

DRAM stands for _____

- ▶ **Dynamic RAM (Page 407) rep**
- ▶ Data RAM
- ▶ Demoduler RAM
- ▶ None of given options

Question No: 27 (Marks: 1) - Please choose one

FIFO is an acronym for _____

- ▶ **First In, First Out (Page 424) rep**
- ▶ Fly in, Fly Out
- ▶ Fast in, Fast Out
- ▶ None of given options

Question No: 28 (Marks: 1) - Please choose one (Diagram is missing)

In the circuit diagram of 3-bit synchronous counter shown above, The red rectangle would be replaced by which gate?

- ▶ AND
- ▶ OR
- ▶ NAND
- ▶ XNOR

Question No: 29 (Marks: 1) - Please choose one

The sequence of states that are implemented by a n-bit Johnson counter is

- ▶ $n+2$ (n plus 2)
- ▶ **$2n$ (n multiplied by 2) (Page 354) rep**
- ▶ 2^n (2 raise to power n)
- ▶ n^2 (n raise to power 2)

Question No: 30 (Marks: 1) - Please choose one

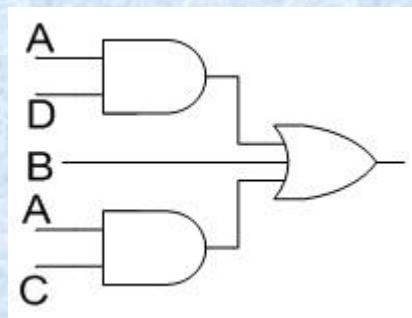
Stack is an acronym for _____

- ▶ FIFO memory
- ▶ **LIFO memory (Page 429) rep**
- ▶ Flash Memory
- ▶ Bust Flash Memory

**FINALTERM EXAMINATION
Fall 2009**

Question No: 1 (Marks: 1) - Please choose one

The diagram given below represents _____



- ▶ Demorgans law
- ▶ Associative law
- ▶ Product of sum form
- ▶ **Sum of product form (Page 78) rep**

Question No: 2 (Marks: 1) - Please choose one

Excess-8 code assigns _____ to “+7”

- ▶ **0000 (Page 34) rep**
- ▶ 1001
- ▶ 1000
- ▶ 1111

Question No: 3 (Marks: 1) - Please choose one

NOR gate is formed by connecting _____

- ▶ **OR Gate and then NOT Gate (Page 47)**
- ▶ NOT Gate and then OR Gate
- ▶ AND Gate and then OR Gate
- ▶ OR Gate and then AND Gate

Question No: 4 (Marks: 1) - Please choose one

A full-adder has a $C_{in} = 0$. What are the sum (Σ) and the carry (C_{out}) when $A = 1$ and $B = 1$?

- ▶ $\Sigma = 0, C_{out} = 0$
- ▶ **$\Sigma = 0, C_{out} = 1$ (Page 135) rep**
- ▶ $\Sigma = 1, C_{out} = 0$
- ▶ $\Sigma = 1, C_{out} = 1$

Question No: 5 (Marks: 1) - Please choose one

A particular half adder has

- ▶ 2 INPUTS AND 1 OUTPUT
- ▶ **2 INPUTS AND 2 OUTPUT (Page 134)**
- ▶ 3 INPUTS AND 1 OUTPUT
- ▶ 3 INPUTS AND 2 OUTPUT

Question No: 6 (Marks: 1) - Please choose one

THE FOUR OUTPUTS OF TWO 4-INPUT MULTIPLEXERS, CONNECTED TO FORM A 16-INPUT MULTIPLEXER, ARE CONNECTED TOGETHER THROUGH A 4-INPUT _____ GATE

- ▶ AND
- ▶ **OR (Page 171)**
- ▶ NAND
- ▶ XOR

Question No: 7 (Marks: 1) - Please choose one

A FIELD-PROGRAMMABLE LOGIC ARRAY CAN BE PROGRAMMED BY THE USER AND NOT BY THE MANUFACTURER.

- ▶ **TRUE (Page 182)**
- ▶ FALSE

Question No: 8 (Marks: 1) - Please choose one

Flip flops are also called _____

- ▶ Bi-stable dualvibrators
- ▶ Bi-stable transformer
- ▶ **Bi-stable multivibrators (Page 228)**
- ▶ Bi-stable singlevibrators

Muhammad Moaaz Siddiq – MCS (2nd)

mc100401285@Gmail.com

**Campus:- Institute of E-Learning & Modern
Studies (IEMS) Samundari**

Question No: 9 (Marks: 1) - Please choose one

A positive edge-triggered flip-flop changes its state when _____

- ▶ **Low-to-high transition of clock (Page 228)**
- ▶ High-to-low transition of clock
- ▶ Enable input (EN) is set
- ▶ Preset input (PRE) is set

Question No: 10 (Marks: 1) - Please choose one

_____ is one of the examples of synchronous inputs.

- ▶ **J-K input (Page 235)**
- ▶ EN input
- ▶ Preset input (PRE)
- ▶ Clear Input (CLR)

Question No: 11 (Marks: 1) - Please choose one

THE GLITCHES DUE TO RACE CONDITION CAN BE AVOIDED BY USING A _____

- ▶ GATED FLIP-FLOPS
- ▶ PULSE TRIGGERED FLIP-FLOPS
- ▶ POSITIVE-EDGE TRIGGERED FLIP-FLOPS
- ▶ **NEGATIVE-EDGE TRIGGERED FLIP-FLOPS (Page 267) rep**

Question No: 12 (Marks: 1) - Please choose one

The design and implementation of synchronous counters start from _____

- ▶ Truth table
- ▶ k-map
- ▶ state table
- ▶ **state diagram (Page 319) rep**

Question No: 13 (Marks: 1) - Please choose one

THE HOURS COUNTER IS IMPLEMENTED USING _____

- ▶ ONLY A SINGLE MOD-12 COUNTER IS REQUIRED
- ▶ MOD-10 AND MOD-6 COUNTERS
- ▶ MOD-10 AND MOD-2 COUNTERS
- ▶ **A SINGLE DECADE COUNTER AND A FLIP-FLOP (Page 299) rep**

Question No: 14 (Marks: 1) - Please choose one

Given the state diagram of an up/down counter, we can find _____

- ▶ **The next state of a given present state (Page 371) rep**
- ▶ The previous state of a given present state
- ▶ Both the next and previous states of a given state
- ▶ The state diagram shows only the inputs/outputs of a given states

Muhammad Moaaz Siddiq – MCS (2nd)

mc100401285@Gmail.com

**Campus:- Institute of E-Learning & Modern
Studies (IEMS) Samundari**

Question No: 15 (Marks: 1) - Please choose one

In _____ outputs depend only on the current state.

- ▶ Mealy machine
- ▶ **Moore Machine (Page 332) rep**
- ▶ State Reduction table
- ▶ State Assignment table

Question No: 16 (Marks: 1) - Please choose one

A synchronous decade counter will have _____ flip-flops

- ▶ 3
- ▶ **4 (Page 281)**
- ▶ 7
- ▶ 10

Question No: 17 (Marks: 1) - Please choose one

A multiplexer with a register circuit converts _____

- ▶ Serial data to parallel
- ▶ **Parallel data to serial (Page 356) rep**
- ▶ Serial data to serial
- ▶ Parallel data to parallel

Question No: 18 (Marks: 1) - Please choose one

The alternate solution for a multiplexer and a register circuit is _____

- ▶ **Parallel in / Serial out shift register (Page 356)**
- ▶ Serial in / Parallel out shift register
- ▶ Parallel in / Parallel out shift register
- ▶ Serial in / Serial Out shift register

Question No: 19 (Marks: 1) - Please choose one

AT TO THE VALUE STORED IN A 4-BIT LEFT SHIFT WAS “1”. WHAT WILL BE THE VALUE OF REGISTER AFTER THREE CLOCK PULSES?

- ▶ 2
- ▶ 4
- ▶ 6
- ▶ **8 (not sure) rep**

Question No: 20 (Marks: 1) - Please choose one

A 8-bit serial in / parallel out shift register contains the value “8”, _____ clock signal(s) will be required to shift the value completely out of the register.

- ▶ 1
- ▶ 2
- ▶ 4
- ▶ **8 (Page 356)**

Muhammad Moaaz Siddiq – MCS (2nd)

mc100401285@Gmail.com

**Campus:- Institute of E-Learning & Modern
Studies (IEMS) Samundari**

Question No: 21 (Marks: 1) - Please choose one

5-BIT JOHNSON COUNTER SEQUENCES THROUGH ____ STATES

- ▶ 7
- ▶ **10 (Page 354) rep**
- ▶ 32
- ▶ 25

Question No: 22 (Marks: 1) - Please choose one

In _____ Q output of the last flip-flop of the shift register is connected to the data input of the first flip-flop of the shift register.

- ▶ Moore machine
- ▶ Meally machine
- ▶ Johnson counter
- ▶ **Ring counter (Page 355)**

Question No: 23 (Marks: 1) - Please choose one

DRAM stands for _____

- ▶ **Dynamic RAM (Page 407) rep**
- ▶ Data RAM
- ▶ Demoduler RAM
- ▶ None of given options

Question No: 24 (Marks: 1) - Please choose one

If the FIFO Memory output is already filled with data then _____

- ▶ It is locked; no data is allowed to enter
- ▶ It is not locked; the new data overwrites the previous data.
- ▶ Previous data is swapped out of memory and new data enters
- ▶ **None of given options**

Question No: 25 (Marks: 1) - Please choose one

LUT is acronym for _____

- ▶ **Look Up Table (Page 439) rep**
- ▶ Local User Terminal
- ▶ Least Upper Time Period
- ▶ None of given options

Question No: 26 (Marks: 1) - Please choose one

_____ of a D/A converter is determined by comparing the actual output of a D/A converter with the expected output.

- ▶ Resolution
- ▶ **Accuracy (Page 460) rep**
- ▶ Quantization
- ▶ Missing Code

Muhammad Moaaz Siddiq – MCS (2nd)

mc100401285@Gmail.com

**Campus:- Institute of E-Learning & Modern
Studies (IEMS) Samundari**

Question No: 27 (Marks: 1) - Please choose one (Diagram is missing)

In the circuit diagram of 3-bit synchronous counter The red rectangle, shown above would be replaced which gate?

- ▶ AND
- ▶ OR
- ▶ NAND
- ▶ XNOR

Question No: 28 (Marks: 1) - Please choose one

WHEN BOTH THE INPUTS OF EDGE-TRIGGERED J-K FLOP-FLOP ARE SET TO LOGIC ZERO -----

- ▶ THE FLOP-FLOP IS TRIGGERED
- ▶ $Q=0$ AND $Q'=1$
- ▶ $Q=1$ AND $Q'=0$
- ▶ **THE OUTPUT OF FLIP-FLOP REMAINS UNCHANGED (page 223)**

Question No: 29 (Marks: 1) - Please choose one

A frequency counter _____

- ▶ Counts pulse width
- ▶ **Counts no. of clock pulses in 1 second (Page 301) rep**
- ▶ Counts high and low range of given clock pulse
- ▶ None of given options

Question No: 30 (Marks: 1) - Please choose one

Stack is an acronym for _____

- ▶ FIFO memory
- ▶ **LIFO memory (Page 429) rep**
- ▶ Flash Memory
- ▶ Bust Flash Memory

Muhammad Moaaz Siddiq – MCS (2nd)

mc100401285@Gmail.com

**Campus:- Institute of E-Learning & Modern
Studies (IEMS) Samundari**